



RM2010HA-XXXX*JN-99-02



WWW.BARRYIND.COM

BeO

CHIP RESISTOR

Features:

- ◆ BeO Material
- ◆ 40 Watt Input Power
- ◆ Compact Construction
- ◆ HA - Gold over Platinum Gold, Input/Output Pads with Platinum Gold Ground

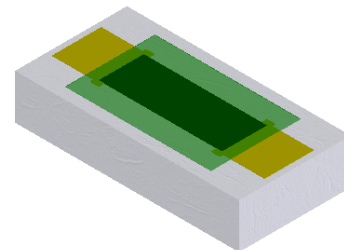
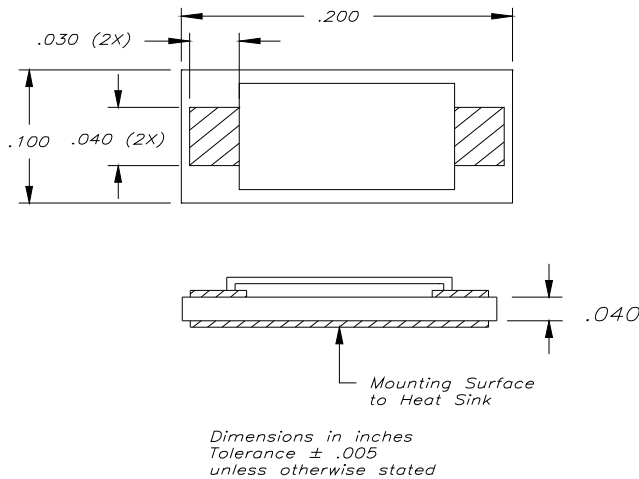
General Description:

The RM2010HA-XXXXJN-99-02 is a BeO chip resistor. It has an input power of 40 watts, while maintaining a constant mounting surface temperature of 100°C. Its compact size is ideal for miniature electronic components.

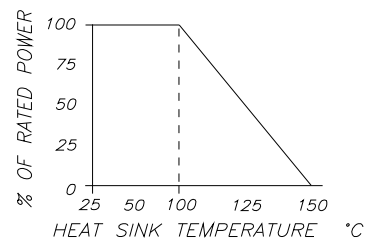
*XXXX = ohmic value

Sample Part Number:

RM2010HA-1000JN-99-02 = 100 ohm device



DERATING CURVE:



Parameter	Min.	Typ.	Max.	Units
Power			40	Watts
Resistance		+/- 5%		Ohms
Mounting Surface Temperature			100	°C

Barry Industries reserves the right to change part number and or process without notification.

Barry Industries, Inc., 60 Walton St., Attleboro, MA 02703 T: 508-226-3350 F: 508-226-3317 E-mail: ABSales@Vishay.com

Barry Industries maintains an ISO 9001 Certified Quality Management System

Origination Date	Revision Date	Rev.
01/24/08	01/05/09	A